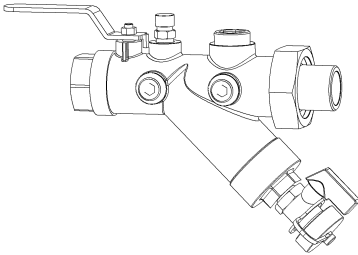


JOB:	REPRESENTATIVE:	
UNIT TAG:	ORDER NO.	DATE:
ENGINEER:	SUBMITTED BY:	DATE:
CONTRACTOR:	APPROVED BY:	DATE:



Model UBY Combination Ball Valve & Strainer

DESCRIPTION

The Bell & Gossett UBY is a combination wye strainer, full port shut-off valve and union for use in HVAC systems. Strainers are furnished with a 20 mesh stainless steel screen, hose end drain valve for purging, one pressure / temperature port for commissioning, and one plugged bypass port. Three additional 1/4" taps are plugged and available for accessories when specified. A variety of pipe connections are available on both the fixed and union ends.

CONSTRUCTION

- Body: Brass C37000
- Ball: Full Port Chrome Plated
- Ball Seal: Teflon®*
- Stem: Explosion Proof
- O-Rings: EPDM
- Strainer: 20 Mesh Stainless Steel
- Bypass Port Tap:
 - 1/2" NPTF for sizes 1/2", 3/4" and 1"
 - 3/4" NPTF for sizes 1 1/4" and 1 1/2"
 - 1" NPTF for 2"

MAX. WORKING PRESSURE

400 psig (2,758 kPa)

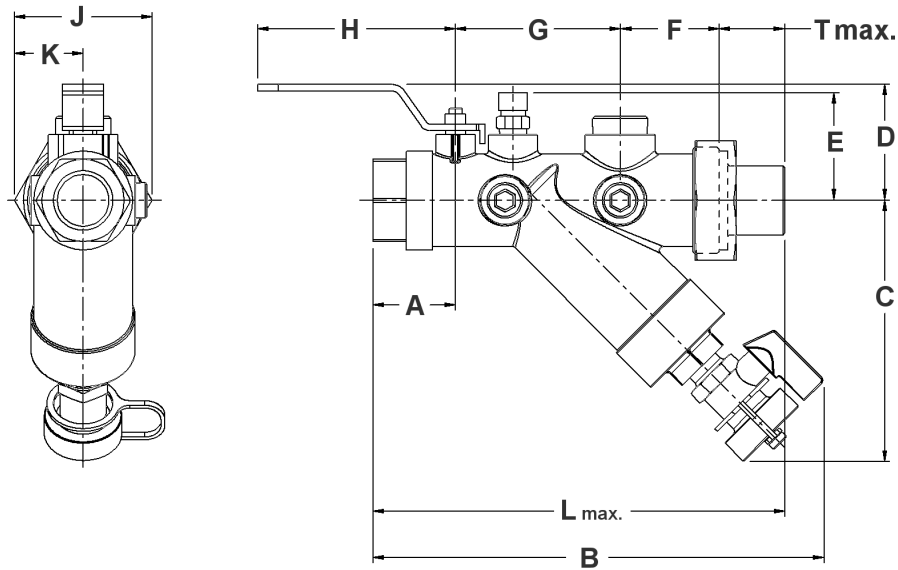
MAX. OPERATING TEMPERATURE

-4°F (-20°C) to 250°F (121°C)

*Teflon® is a registered trademark of E.I. DuPont de Nemours and Company.

SCHEDULE

VALVE SIZE FIXED END	TAGGING INFORMATION	QUANTITY
1/2" Sweat Female		
1/2" NPT Female		
3/4" Sweat Female		
3/4" NPT Female		
1" Sweat Female		
1" NPT Female		
1 1/4" Sweat Female		
1 1/4" NPT Female		
1 1/2" Sweat Female		
1 1/2" NPT Female		
2" Sweat Female		
2" NPT Female		



Valve Size Fixed End	Connection Fixed End	DIMENSIONS* INCH (mm)											Approx. Weight Lbs.	
		A	B	C	D	E	F	G	H	J	K	T (Max)		L (Max)
½"	Sweat Female	1.03 (26.3)	6.14 (156.0)	3.62 (91.8)	2.06 (52.2)	2.06 (52.4)	1.39 (35.2)	2.48 (63.0)	3.38 (85.7)	1.62 (41.1)	0.81 (20.6)	1.55 (39.4)	6.46 (163.9)	2.3 (1.0)
½"	NPT Female	1.02 (25.8)	6.13 (155.6)	3.62 (91.8)	2.06 (52.2)	2.06 (52.4)	1.39 (35.2)	2.48 (63.0)	3.38 (85.7)	1.62 (41.1)	0.81 (20.6)	1.55 (39.4)	6.44 (163.4)	2.3 (1.0)
¾"	Sweat Female	1.45 (36.9)	6.60 (167.7)	3.76 (95.5)	2.08 (52.9)	2.29 (58.2)	1.27 (32.2)	2.69 (68.4)	3.50 (88.9)	1.90 (48.3)	0.95 (24.1)	1.55 (39.4)	6.97 (176.9)	3.8 (1.7)
¾"	NPT Female	1.22 (36.9)	6.37 (161.7)	3.76 (95.5)	2.08 (52.9)	2.29 (58.2)	1.27 (32.3)	2.69 (68.4)	3.50 (88.9)	1.90 (48.3)	0.95 (24.1)	1.55 (39.4)	6.73 (171.0)	3.8 (1.7)
1"	Sweat Female	1.43 (36.2)	7.85 (199.5)	4.63 (117.7)	2.29 (53.2)	2.44 (61.9)	2.04 (51.7)	3.60 (91.5)	4.00 (101.6)	2.10 (53.3)	1.05 (26.7)	2.00 (50.8)	9.07 (230.3)	4.3 (2.0)
1"	NPT Female	1.08 (27.5)	7.51 (190.7)	4.63 (117.7)	2.29 (53.2)	2.44 (61.9)	2.04 (51.7)	3.60 (91.5)	4.00 (101.6)	2.10 (53.3)	1.05 (26.7)	2.00 (50.8)	8.73 (221.5)	4.3 (2.0)
1¼"	Sweat Female	1.71 (43.5)	8.21 (208.6)	4.88 (123.8)	2.65 (67.4)	2.73 (69.4)	1.89 (48.0)	3.80 (96.5)	5.38 (136.5)	2.81 (71.4)	1.41 (35.7)	2.00 (50.8)	9.40 (238.8)	5.6 (2.5)
1¼"	NPT Female	1.45 (36.7)	7.95 (201.8)	4.88 (123.8)	2.65 (67.4)	2.73 (69.4)	1.89 (48.0)	3.80 (96.5)	5.38 (136.5)	2.81 (71.4)	1.41 (35.7)	2.00 (50.8)	9.14 (232.0)	5.6 (2.5)
1½"	Sweat Female	2.25 (57.0)	9.66 (245.3)	5.30 (134.7)	2.90 (73.7)	2.87 (72.8)	2.24 (57.0)	4.53 (115.0)	5.50 (139.7)	3.37 (85.5)	1.68 (42.7)	2.52 (64.0)	11.53 (293.0)	8.2 (3.7)
1½"	NPT Female	1.90 (49.3)	9.32 (236.6)	5.30 (134.7)	2.90 (73.7)	2.87 (72.8)	2.24 (57.0)	4.53 (115.0)	5.50 (139.7)	3.37 (85.5)	1.68 (42.7)	2.52 (64.0)	11.19 (284.3)	8.2 (3.7)
2"	Sweat Female	2.10 (53.4)	9.85 (250.2)	5.62 (142.7)	3.44 (87.4)	3.30 (83.9)	2.79 (70.9)	4.91 (124.6)	6.00 (152.4)	3.90 (99.1)	1.95 (49.5)	3.14 (79.8)	12.94 (328.7)	11.2 (5.1)
2"	NPT Female	1.59 (40.3)	9.33 (237.1)	5.62 (142.7)	3.44 (87.4)	3.30 (83.9)	2.79 (70.9)	4.91 (124.6)	6.00 (152.4)	3.90 (99.1)	1.95 (49.5)	3.14 (79.8)	12.42 (315.6)	11.2 (5.1)

*All dimensions +/- 0.125 (3.2 mm) tolerance. Dimensions are subject to change. Not to be used for construction purposes unless certified.

