

the best

mod/con Performance and Versatility

UP TO
96%
DOE AFUE
Efficiency



Now with Floor *and* Wall Mount Models



Lochinvar[®]
High Efficiency Water Heaters, Boilers and Pool Heaters

www.knightheatingboiler.com

a

Legendary Performer...



Since its introduction in 2005, the KNIGHT modulating-condensing heating boiler has consistently delivered everything the professional needs for ease of installation and maintenance, and everything homeowners need for total comfort and long-term savings on energy costs.

Now, with 5 floor-standing models and 5 compact Wall Mount units, Lochinvar offers the industry's broadest selection of modulating-condensing heating boilers. And KNIGHT is the industry's most advanced boiler design, including the SMART SYSTEM™

operating control that has quickly become a legendary benchmark among the trade!

For traditional space heating or radiant floor heating applications, KNIGHT offers your customers tremendous savings on energy costs compared to less efficient boilers. KNIGHT has earned the ENERGY STAR,



signifying that it has met strict energy-efficiency guidelines set by the EPA and U.S. Department of Energy.



10 Models – The Right Choice, for Every Application



“After my first KNIGHT installation, I loved it so much I installed it in my own home, and now my heating bill is half what it used to be.”

– Rick Brunner, Hydronic Solutions, Nassau County, NY

KNIGHT is a great choice for radiant floor heating, baseboard and panel heater applications.

with Heroic Quality and Innovation

96%
DOE AFUE
Efficiency

98%
Efficiency
in low-temp
radiant
applications

"I'm very impressed with the KNIGHT Boiler. It's lightweight, simple to install and works remarkably well. The SMART SYSTEM control is a definite advantage, because most other manufacturers sell the control separately and it has to be assembled on the job. I also really like that the KNIGHT can modulate down to 20 percent, and that the wiring is very easy to understand. I recommend the KNIGHT to all of my customers who are looking for a quality boiler that will perform well and last for years."

– Steve Ayotte, Ayotte's Water Works, Lansing, MI



Advanced Negative Regulation Technology

KNIGHT safely and reliably operates with supply gas pressure as low as 4 inches water column, because "Neg/Reg" technology automatically adjusts fan speed to ensure the correct volume of fuel and air entering the burner.

Fail-Safe Direct-Spark Ignition

With each call for heat, two electrodes ignite the fuel/gas mixture. A third electrode then senses for flame. If no flame is detected, the system resets and attempts ignition four times. SMART SYSTEM will lock out and display the fault if ignition does not occur after four attempts.

Two-in-One Stainless Steel Heat Exchanger

A primary heat exchanger combined with a secondary heat exchanger capturing flue gas heat allows entering water temperatures as low as 50°F. The stainless steel, pH-tolerant design features a weld-sealed assembly with no O-rings or gaskets and does not require special glycol. ASME Section IV approved and stamped.

Fully Modulating Burner with 5:1 Turndown

The SMART SYSTEM allows fully modulating combustion with 5:1 turndown. The burner can fire as low as 20% of maximum input, and modulates the firing rate up to 100% as demand increases. The woven stainless steel mesh assembly fires in a 360° pattern along the entire length of the heat exchanger. These together allow KNIGHT's compact size to excel compared to units with larger multiple burners.



Ease of Installation

Direct Venting up to 100 Feet!

KNIGHT offers greater flexibility than other boilers for placement of units within the building, because it permits direct-vent air intake and exhaust runs up to 100 equivalent feet, using 3" PVC or CPVC pipe. Wall-mounted KNIGHT models (50-105) also permit intake and vent runs up to 40 feet using 2" pipe. Intake and exhaust runs can terminate horizontally through a sidewall or vertically through the roof.



**SMART
SYSTEM**

& the Industry's Smartest Design

SMART SYSTEM is the industry's most advanced operating control. Right out of the box, it gives you unequaled control and monitoring functions that are easy to understand and use.



"I really like the KNIGHT Boiler because it's very simple to install and program. The SMART SYSTEM control is great and I really like being able to troubleshoot with the pocket PC. My customers choose KNIGHT for its high efficiency and state-of-the-art design, and they're all thrilled that KNIGHT operates so quietly and makes their home much more comfortable."

— Chad Padilla, TLC Plumbing, Albuquerque, NM

2-Line, 16-Character LCD Display

Displays setup and diagnostic information in words, not codes

Password Security

Dual passwords for installer and user

Product Service Indicator

Program reminders for cycle count, operation hours or last service

Pump Relay w/Freeze Protection

Ensures water temperature does not fall below 40°F

Low-Water Flow Indicator

Protects against high temperature differential in the heat exchanger with reduced modulation or shutdown

Outdoor Reset

Outdoor temperature monitor guides the reset schedule to meet load

Night Setback

Program a heating loop water temperature setback for any time of the day, each day of the week

Building Management System (BMS) Control

0-10 VDC, BMS-driven input for modulation rate or temperature control

DHWP with Pump Control

On call for hot water, SMART SYSTEM overrides outdoor reset and starts DHWP pump to the indirect. Runtime can alternate between heating and domestic hot water to meet demand simultaneously

System & Boiler Pump Controls

Provides power to both system and boiler pumps based on a call for heat. Programmable delay allows pumps to operate after a call has been satisfied

In/Out Temp. Sensors and Display

Allows installer to select which sensor controls the boiler setpoint



PC Connection –

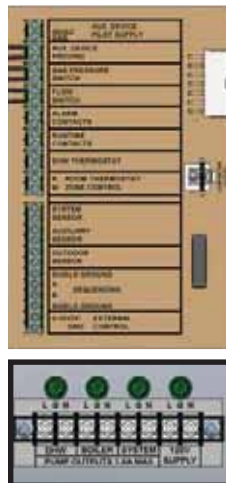
Can be used with KNIGHT PC or Pocket PC software to troubleshoot and program SMART SYSTEM functions and to track historical data, including faults, trends and energy consumption.

Field Connection Versatility

User-friendly terminal strip allows for 28 low-voltage field connections. Plus, 4 line voltage connections supply power to the unit, and up to three pumps operated by the SMART SYSTEM.

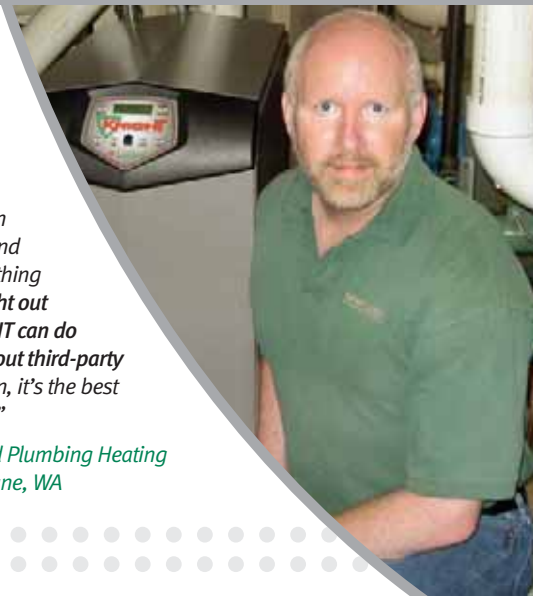
Built-in Cascading Sequencer

SMART SYSTEM includes a built-in sequencer for 2–8 units, eliminating the cost and labor of a third-party sequencer. On demand, one boiler acts as lead unit and modulates with demand to meet capacity. The additional load then "cascades" to the next boiler in line and continues all are operating or demand is satisfied. When demand drops, the process reverses.



"The control system on the KNIGHT is head and shoulders above anything else available. Straight out of the box, the KNIGHT can do anything I need without third-party controls. Hands-down, it's the best boiler on the market."

— Don Smet, Standard Plumbing Heating Controls Corp., Spokane, WA



is joined at the Round Table



“Why do I like the KNIGHT? I don’t know where to begin. The direct venting with 100 feet of intake and exhaust eliminates a lot of problems. I also like the low voltage features, and the SMART SYSTEM’s outdoor reset capability. The internal sequencer is tremendously powerful and ideal for multiple boiler installations. It’s also great-looking, and aesthetics are important to my customers. When I install KNIGHT, my customers know they are getting a highly efficient state-of-the-art system, and they’ve all been completely satisfied.”

– Paul Rohrs, Biggerstaff Radiant Solutions, Lincoln, NE



KNIGHT lineup now includes 5 space-saving Wall Mount models from 50,000 to 210,000 Btu/hr



The KNIGHT floor-standing lineup features 5 small footprint designs from 80,000 to 285,000 Btu/hr



All KNIGHT Boilers meet or exceed the highest federal emissions requirements.

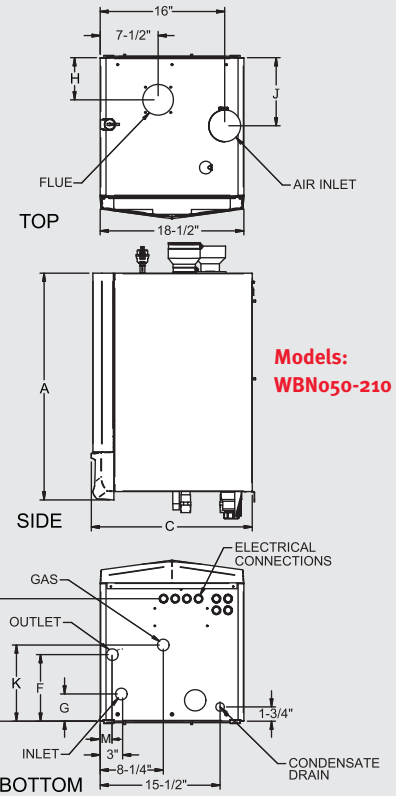
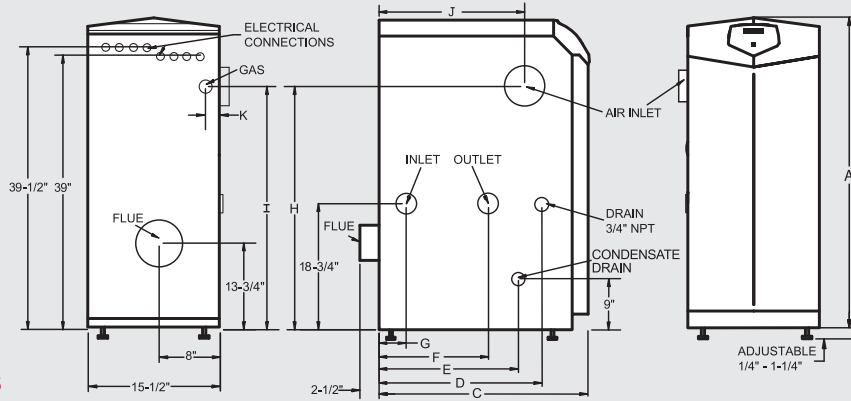
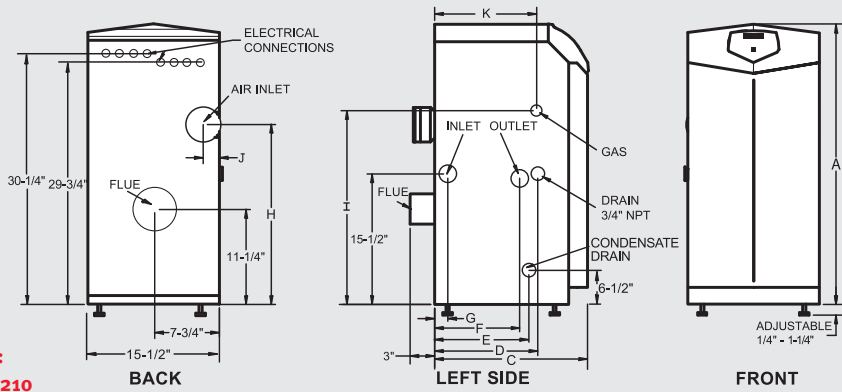
KNIGHT plus SQUIRE delivers domestic hot water for less!

The KNIGHT boiler’s DHWP feature means you can easily install it with Lochinvar’s new SQUIRE indirect water heater. With this winning combination, homeowners will get high-efficiency space heating from KNIGHT, plus all the domestic hot water they need from SQUIRE. Equipped with a stainless steel tank and heat exchanger, SQUIRE will provide more hot water with lower water heating costs compared to a standard gas or electric water heater.



Knight Heating Boiler Dimensions & Specifications— Floor Standing Models

Wall Mount Models



KNIGHT Heating Boiler						Dimensions and Specifications															
Model Number	Input Min MBH	Input Max MBH	Heating AFUE %	Heating Capacity MBH	NET I=B=R MBH	A	C	D	E	F	G	H	I	J	K	M	Gas Conn.	Water Conn.	Air Inlet	Vent Size	Shipping Weight
WBN050	10	50	95.3	45	39	29-1/4"	15-3/4"	NA	10-3/4"	10-3/4"	2"	6-3/4"	NA	3-1/4"	4-1/4"	2-3/4"	1/2"	1"	2"	2"	130
WBN080	16	80	95.3	72	63	29-1/4"	15-3/4"	NA	10-3/4"	10-3/4"	2"	6-3/4"	NA	3-1/4"	4-1/4"	2-3/4"	1/2"	1"	2"	2"	130
WBN105	21	105	95.4	97	82	29-1/4"	15-3/4"	NA	10-3/4"	10-3/4"	3-1/2"	5-1/2"	NA	3-1/4"	4-1/4"	2-3/4"	1/2"	1"	2"	2"	134
WBN150	30	150	95.5	135	119	29-1/4"	20-3/4"	NA	15-3/4"	8-1/2"	3-1/2"	5-1/2"	NA	8-3/4"	9-3/4"	1-1/2"	1/2"	1"	3"	3"	162
WBN210	42	210	95.7	190	165	29-1/4"	25"	NA	20"	12"	3-1/2"	5-1/2"	NA	13"	14"	1-1/2"	1/2"	1"	3"	3"	177
KBN080	16	80	95.3	72	63	33-1/4"	14"	7"	5-3/4"	5"	3"	20-1/2"	22"	1-3/4"	6-1/2"	NA	1/2"	1"	3"	3"	125
KBN105	21	105	95.4	97	82	33-1/4"	14"	6-1/2"	5-3/4"	4-1/2"	1-1/2"	20-1/2"	22"	1-3/4"	6-1/2"	NA	1/2"	1"	3"	3"	129
KBN150	30	150	95.5	135	119	33-1/4"	18"	12-1/4"	11-1/2"	10"	1-1/2"	21-1/4"	23"	1-3/4"	12"	NA	1/2"	1"	3"	3"	157
KBN210	42	210	95.7	190	165	33-1/4"	22-1/4"	16-1/2"	15-3/4"	14-1/4"	5-1/4"	21-1/4"	23"	1-3/4"	16-1/4"	NA	1/2"	1"	3"	3"	172
KBN285	57	285	96.0	260	226	42-1/2"	19-3/4"	12-3/4"	13-1/2"	6"	2"	34"	31"	11-3/4"	4-1/4"	NA	3/4"	1-1/4"	4"	4"	224

Notes: Performance data based on manufacturer's test results. Indoor installation only. All information subject to change. Change "N" to "L" for LP gas models.

Standard Features

- ▶ Energy Star® Qualified
- ▶ Up to 96% DOE AFUE Efficiency
- ▶ Modulating Burner with 5:1 Turndown
 - ▶ Direct-Spark Ignition
 - ▶ Low NOx Operation
 - ▶ Field Convertible from Natural to LP Gas
- ▶ Vertical & Horizontal Direct-Vent
 - ▶ PVC or CPVC Venting up to 100 Feet
 - ▶ Factory Supplied Sidewall Vent Termination
- ▶ ASME Stainless Steel Heat Exchanger
- ▶ Automatic Reset High Limit
- ▶ Inlet & Outlet Temperature Sensors
- ▶ Boiler Circulating Pump
- ▶ 30 psi ASME Relief Valve
- ▶ Adjustable Leveling Legs (KB Models only)
- ▶ Wall Mount Bracket (WB Models only)
- ▶ Zero Clearances to Combustible Material
- ▶ 12 Year Limited Warranty (See Warranty for Details)

SMART SYSTEM™ Features

- ▶ SMART SYSTEM Digital Operating Control
 - ▶ 2 line, 16 Character Display
 - ▶ Dual Level Password Security
 - ▶ Domestic Hot Water Prioritization
 - ▶ Built in Cascading Sequencer for up to 8 Boilers
 - ▶ 0-10 VDC Input Control
 - ▶ Outdoor Reset Control with Outdoor Air Sensor
 - ▶ Low Water Flow Safety Control & Indication
 - ▶ Alarm on Any Failure Contacts
 - ▶ Service Reminder
 - ▶ Freeze Protection
 - ▶ Night Setback
 - ▶ Time Clock
 - ▶ Three Pump Control (System, Boiler & DHWP)
 - ▶ Data Logging
 - ▶ Examples: Hours Running, Space Heating
 - ▶ Programmable System Efficiency Optimizers
 - ▶ Examples: Anti-cycling, Ramp Delay

Optional Equipment

- ▶ Adjustable High Limit with Manual Reset
- ▶ Flow Switch
- ▶ Low Water Cutoff w/Manual Reset & Test
- ▶ Alarm Bell on Any Failure
- ▶ Concentric Vent Kit
- ▶ Condensate Neutralization Kit
- ▶ SMART SYSTEM PC & Pocket PC Software
- ▶ Multi-Stack Frame

Firing Codes

- ▶ M9 Standard Construction
- ▶ M7 California Code



Lochinvar®
High Efficiency Water Heaters, Boilers and Pool Heaters